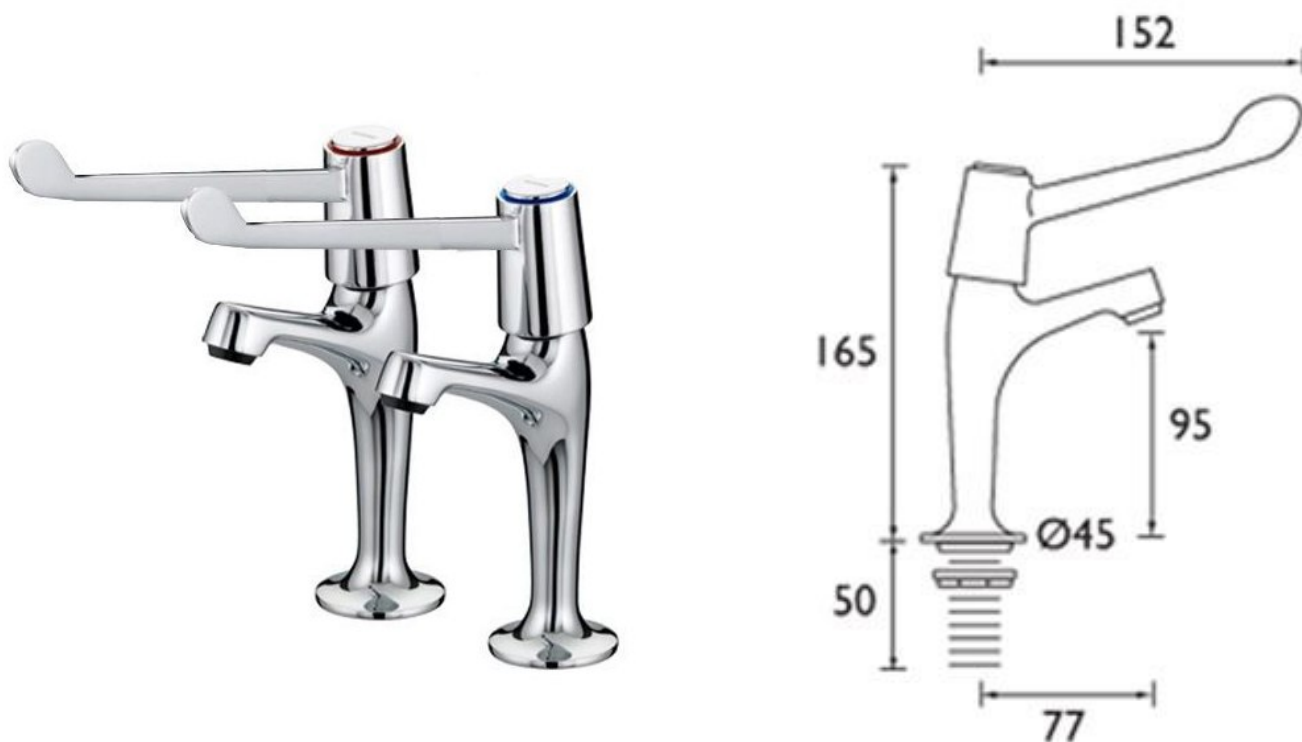


6 inch Lever Operated Sink Taps



Product Code: LSTAP6

Chrome plated 6" lever operated wash basin taps. Supplied in pairs they have a 6-inch metal lever, a chrome plated brass body and are WRAS approved. An easily operated tap allowing wrist or closed fist operation, ideal for food hygiene areas or for operation by the disabled or elderly. School wash rooms are required to provide facilities for disabled users, so these taps offer a suitable hand washing tap for disabled toilet areas.

Delivery

Typically 1 to 2 working days

Tech Spec

Quarter turn ceramic disc valves
6-inch (152mm) chrome plated levers
½ inch valve and inlet
Metal back nuts
WRAS approved
1 year's manufacturer's warranty against defects
22mm tap holes required

Related products

We also offer these taps in a [3-inch version](#).

****All pictures shown are for illustration purpose only and may be subject to change without notice. Actual product may vary due to product enhancement. All dimensions shown are for guidance only and may be subject to change or alteration without notice. All items manufactured or purchased separately from a third party to fit our products should be checked against the actual dimensions of the physical product before purchase. We will not be liable for third party costs and consequential loss associated with the items not fitting third party components.****