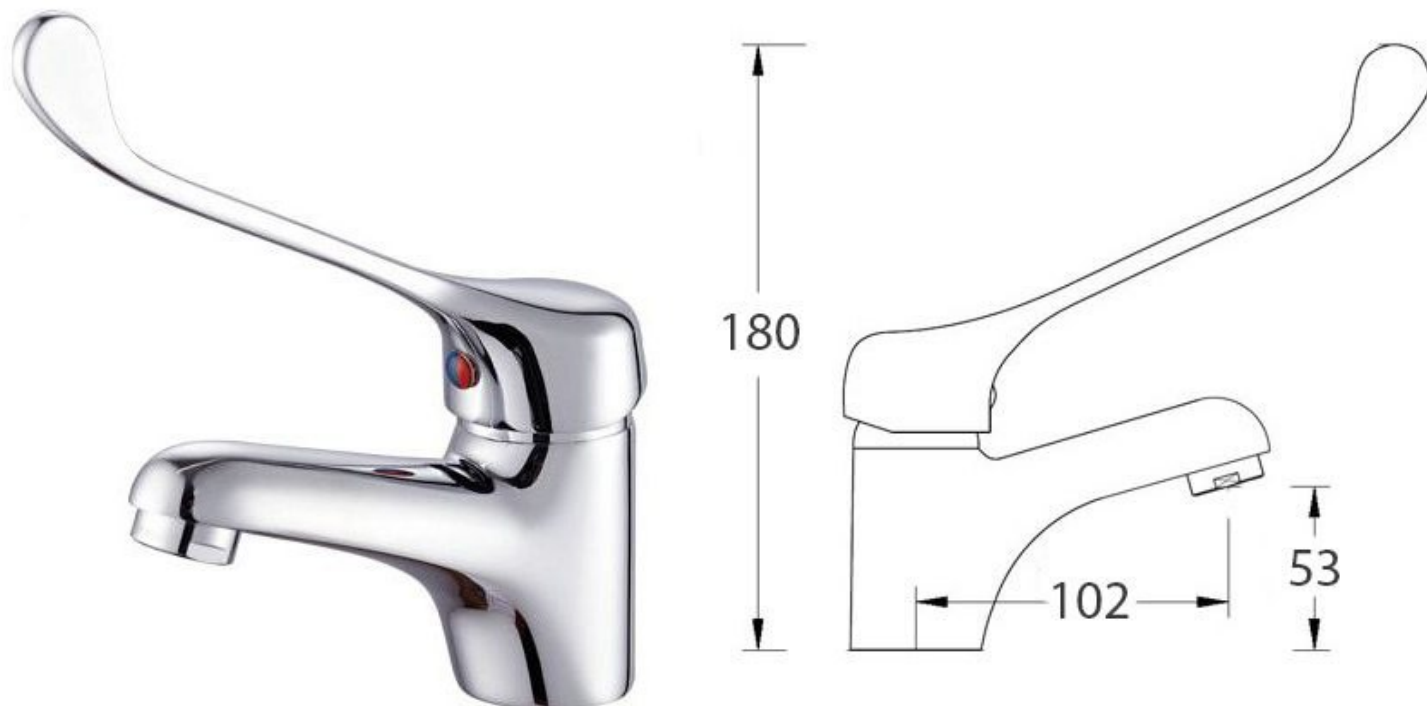


Long Lever Healthcare Mixer Tap



Product Code: LLDT

Chrome plated mixer tap with long lever operation. The mixer tap has a fixed spout with a chrome plated brass body, and chrome plated lever. The sequential lever rotates through 180 degrees increasing temperature from cold to hot.

The lever mixer tap is the ideal solution to supply pre-mixed water to [school trough sinks](#) where hands should be washed under running warm water.

Delivery

Typically 1 to 2 working days

Tech Spec

35mm tap hole required.
Max Working Pressure: 5.0 Bar.
Min Working Pressure: 0.2 Bar.
Recommended Operating Range: 2 to 5 Bar

Related products

View for our full range of [lever taps](#).

**All pictures shown are for illustration purpose only and may be subject to change without notice. Actual product may vary due to product enhancement.
All dimensions shown are for guidance only and may be subject to change or alteration without notice. All items manufactured or purchased separately from a third party to fit our products should be checked against the actual dimensions of the physical product before purchase. We will not be liable for third party costs and consequential loss associated with the items not fitting third party components.**