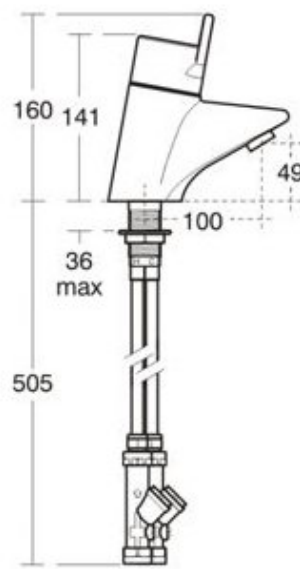


## Contour 21 Sequential Lever Thermostatic Mixer



Product Code: ASH-LTM

Contour 21 sequential lever operated thermostatic mixer tap. The thermostatic operation ensures the temperature is safe for all users and prevents accidental scalding.

### Delivery

Typically 4 to 6 working days

### Tech Spec

Monobloc mixer for use with one tap hole basins  
Thermostatic temperature control  
TMV3 approved tap  
Chrome plated brass  
Copper tails for use in hospitals  
WRAS approved  
35mm tap holes required

\*\*All pictures shown are for illustration purpose only and may be subject to change without notice. Actual product may vary due to product enhancement.  
All dimensions shown are for guidance only and may be subject to change or alteration without notice. All items manufactured or purchased separately from a third party to fit our products should be checked against the actual dimensions of the physical product before purchase. We will not be liable for third party costs and consequential loss associated with the items not fitting third party components.\*\*