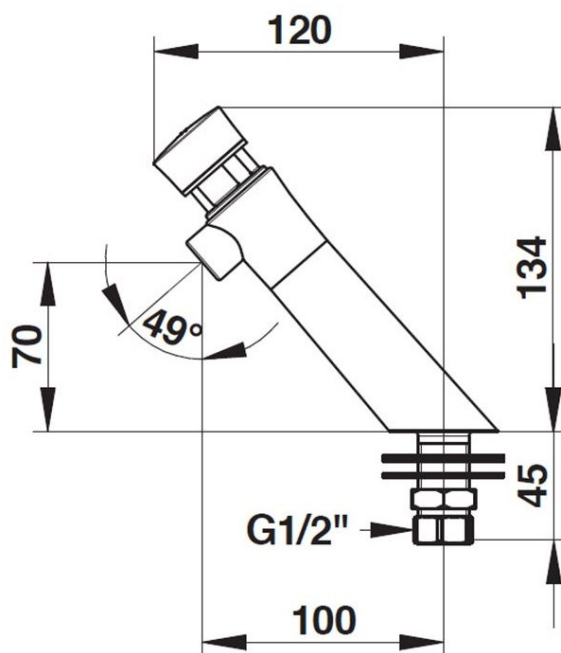


Angled Press Button Tap - Red Indices



Product Code: ABTAP-R

This press button time flow tap is suitable for children and is easily operated. The tap requires minimum effort to operate with a simple push of the top mounted press button. Supplied with a red indices for hot or pre mixed water.

The taps are limited to 3.8 litres per minute to conserve water. Equipped against corrosion and lime scale with a self-cleaning needle and ruby mechanism which cleans itself every time the tap is operated. The time flow tap comes with a 10 year warranty against manufacturing defects.

Delivery

From stock typically 1 to 2 working days

Tech Spec

- Red indices supplied
- Easy touch press button operation
- 7 second automatic time shut-off
- 3.8 litre per minute flow regulation
- WRAS Approved
- Chrome plated brass body and head
- 22mm tap hole required
- Anti rotation head to prevent premature wear
- Self cleaning mechanism to prevent corrosion and limescale problems
- Working pressure 1 to 5 bar
- Brass backnut
- 10 year parts warranty (see notes)

To ensure the proper functioning and longevity of this unit, a Y-strainer must be installed as part of the water supply system. The Y-strainer is essential for protecting the internal components and maintaining the correct flow characteristics of the tap. Failure to install a Y-strainer will result in the warranty being void.

Related Products

We can also supply the tap with a blue indices

Warranty

Warranty is 10 years from supply and is limited to replacement parts or a complete replacement tap. Water filters / Y strainers will need to have been fitted to comply with warranty. Diagnosis and fault finding will need to be undertaken over the phone with the manufacturers before replacement parts or complete taps are supplied. Warranty is strictly limited to parts / replacements and does not cover labour, time or any other consequential charges.

**All pictures shown are for illustration purpose only and may be subject to change without notice. Actual product may vary due to product enhancement.
All dimensions shown are for guidance only and may be subject to change or alteration without notice. All items manufactured or purchased separately from a third party to fit our products should be checked against the actual dimensions of the physical product before purchase. We will not be liable for third party costs and consequential loss associated with the items not fitting third party components.**