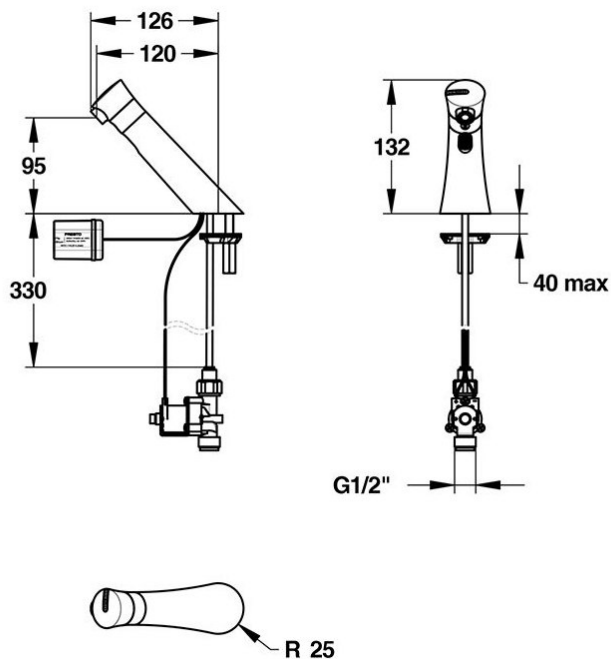


Angled Sensor Tap - Battery Supply



Product Code: AST-B

This battery operated infrared angled sensor operated basin tap with timed flow is ideal for schools and colleges where no touch taps are required. The angled sensor tap has a sensor area close to the tap to prevent unwanted activation from reflections and has a time flow function to help prevent the tap keep turning off and on when washing hands leave the sensor area.

Delivery

From stock typically 1 to 2 working days

Tech Spec

The sensor area is set close to tap to prevent problems with reflections from basins triggering the water flow
7 seconds run time after activation to resolve problem of sensor taps turning on and off if hands leave the sensor area
Chrome plated brass body
Flow rate limited to 1.9 litres per minute
High quality anti limescale aerator
Single supply for cold or premixed water
Lithium battery supplied - will last approx 3 years for normal use
Anti overflow security run time set to 30 seconds
Hygiene autoflush function set to run for 30 seconds 24 hours after last use
Tap hole size 27 to 40mm
WRAS approved
CE marked
10 year warranty (excludes battery)

Water Pressure

Min operating pressure required 1 Bar
Max static water pressure 5 Bar

Flow Rates

Pressure (bar)	1	2	3	5
Flow rate (l/min)	1.4	1.6	1.9	1.9

Related Products

[Mains supply model](#)

[TMV3 mixing valve](#) (regulations state these should be fitted close to the tap and ideally one per tap).

Warranty

Warranty is 10 years from supply and is limited to replacement parts or a complete replacement tap. Water filters / Y strainers will need to have been fitted to comply with warranty. Diagnosis and fault finding will need to be undertaken over the phone with the manufacturers before replacement parts or complete taps are supplied. Warranty is strictly limited to parts / replacements and does not cover labour, time or any other consequential charges.

****All pictures shown are for illustration purpose only and may be subject to change without notice. Actual product may vary due to product enhancement.**

All dimensions shown are for guidance only and may be subject to change or alteration without notice. All items manufactured or purchased separately from a third party to fit our products should be checked against the actual dimensions of the physical product before purchase. We will not be liable for third party costs and consequential loss associated with the items not fitting third party components.**