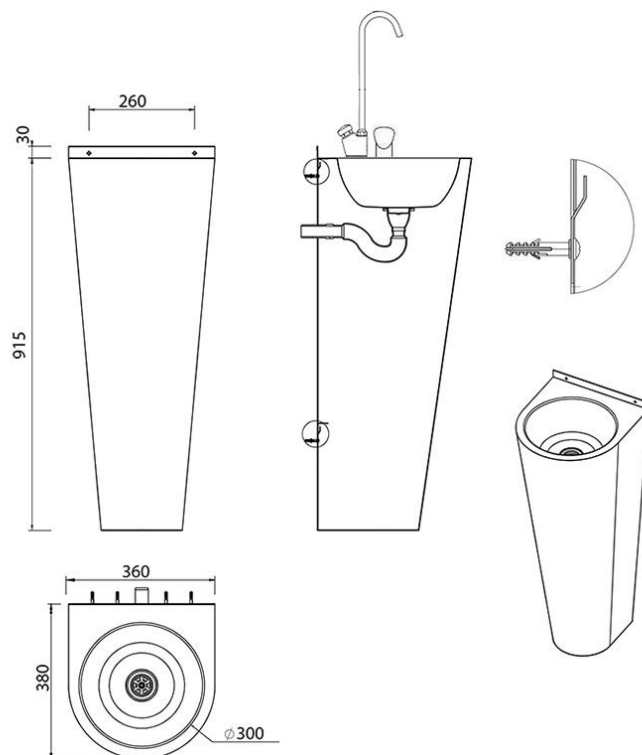


## Adult Height Drinking Fountain With Bottle Filler Spout (Non-Chilled)



Product Code: FSDB-A

These stainless steel combination drinking fountains and bottle fillers are a stylish, cost-effective way of keeping your pupils happy, healthy and hydrated throughout the school day. Our stainless steel bottle filler drinking fountain offers vandal resistance and the stylish rounded front provides safety for users whilst the full height shroud allows for the water pipes to be concealed.

Each stainless steel water fountain comes with a chrome-plated, WRAS-approved bubbler tap and swan neck bottle filler, which can be operated with ease thanks to the soft-touch press button. Fitted with a self closing timed flow valve and high polish bowl to stop splashing and help prevent any potential wasted water. Complete with integrated wall fixing brackets, these bottle fillers are compact to be installed in suitable locations.

### Delivery

Typically 1 to 2 working days

Next working day delivery available for orders placed before 11.30am (at extra cost to standard delivery)

### Tech specs

Material: satin finish stainless steel (304 grade, 1.6mm thick)

Width: 360mm

Depth (front to back): 380mm

Height (top to bottom): Adult height 915mm

Rear upstand: 30mm

Waste fittings: 32mm flush grated

To ensure the proper functioning and longevity of this unit, a Y-strainer or filter must be installed as part of the water supply system. The Y-strainer / filter is essential for protecting the internal components and maintaining the correct flow characteristics of the tap. Failure to install a Y-strainer or filter will result in the warranty being void

### Related products

Our Adult combined bottle filler and drinking fountains are also available in [junior dimensions](#), perfect for infant schools, nurseries and creches.

\*\*All pictures shown are for illustration purpose only and may be subject to change without notice. Actual product may vary due to product enhancement.

All dimensions shown are for guidance only and may be subject to change or alteration without notice. All items manufactured or purchased separately from a third party to fit our products should be checked against the actual dimensions of the physical product before purchase. We will not be liable for third party costs and consequential loss associated with the items not fitting third party components.\*\*