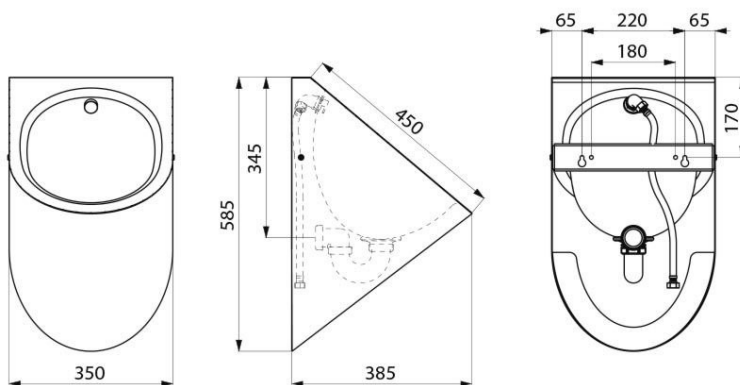


## Back Entry Bowl Urinals Stainless Steel



Product Code: SSBU-BE

Stainless Steel Wall-Hung Bowl Urinal – Ideal for School Toilets

Designed for high-traffic environments like schools and educational facilities, our stainless steel back-entry wall-hung bowl urinal offers a tough, hygienic, and vandal-resistant solution for pupil and staff washrooms. Manufactured from 1.2mm thick, bacteriostatic 304 stainless steel with a satin polished finish, this rimless bowl urinal is built to stand up to daily use while remaining easy to clean and maintain.

With a rear water inlet and fully concealed waste pipework, the unit provides a neat, tamper-proof installation. A stainless steel mounting frame with front fixing and TORX anti-theft security screws make fitting quick and secure—perfect for school maintenance teams.

### Delivery

In Stock 1 - 3 days.

### Tech specs

Material: 1.2mm-thick satin finish stainless steel

Inlet connection: from rear duct

Width: 350mm

Depth (front to back): 385mm

Height (top to bottom): 585mm

Waste fitting: 38mm

Trap: P trap for through wall waste

Requires a rear service duct for concealing the water inlet and outlet pipework.

### Related products

Our [trough urinals](#) can offer a cost saving over individual bowl urinals whilst [floor standing urinals](#) can offer a more hygienic installation.

\*\*All pictures shown are for illustration purpose only and may be subject to change without notice. Actual product may vary due to product enhancement. All dimensions shown are for guidance only and may be subject to change or alteration without notice. All items manufactured or purchased separately from a third party to fit our products should be checked against the actual dimensions of the physical product before purchase. We will not be liable for third party costs and consequential loss associated with the items not fitting third party components.\*\*