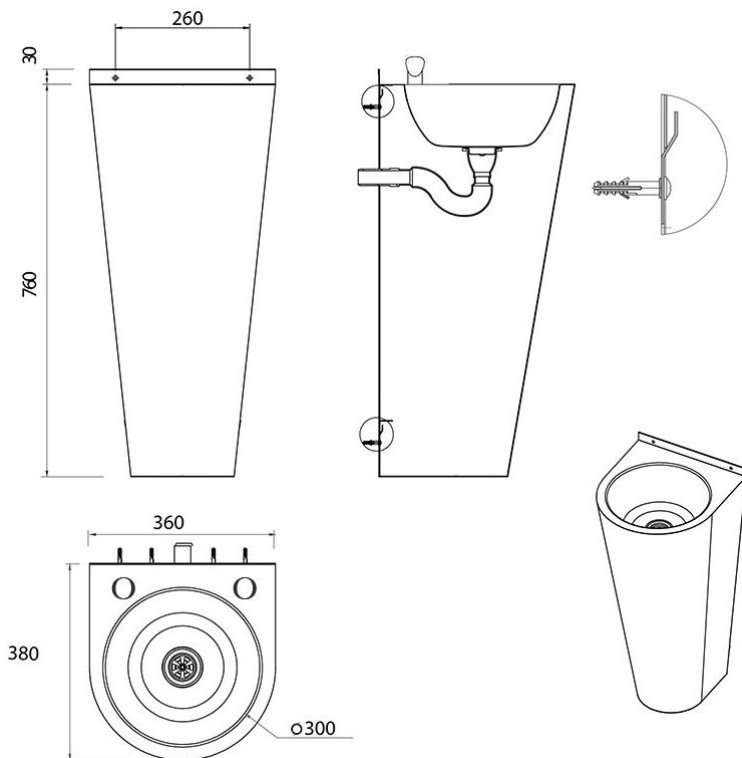


## Junior Height Floor Standing Round Wash Basin



Product Code: FRWB-J

This junior height stainless steel floor standing wash basin has a round front profile for users safety and comfort and incorporates a shroud down to the floor to conceal pipework and fittings.

Manufactured from grade 304 stainless steel for vandal resistance, durability and easy cleaning. The hand wash basins are supplied with either a pair 22mm pre-drilled tap holes or a single 35mm tap hole to the left or right hand side. Supplied with two concealed wall brackets, top fixing holes and a 32mm flush grated waste fitting (no plug, chain or overflow.)

The wash basin is recommended for many applications including schools, colleges and public buildings.

### Delivery

Typically 1 to 2 working days

### Tech Spec

Material: 1.2mm thick grade 304 stainless steel  
Width: 360mm  
Front to Back: 380mm  
Height: 760mm plus 30mm rear upstand  
Two concealed wall brackets  
One or two tap holes  
Complete with 32mm flush grated waste (no overflow, plug or chain)

### Extras

*Taps*

[Time-flow taps](#)

[Lever-operated mixer taps](#)

[Infrared taps](#)

A wide selection of alternative [taps](#) are available to suit your requirements

*Traps*

McAlpine-brand [plastic 32mm bottle trap](#)

### Related products

If this heavy duty basin doesn't match your requirements we can supply different sized [wash basins](#), or if required we also supply [inset wash basins](#) to fit into vanity units. [Stainless steel trough sinks](#) are becoming a popular choice in school wash rooms and can also be supplied in [solid surface material](#).

\*\*All pictures shown are for illustration purpose only and may be subject to change without notice. Actual product may vary due to product enhancement. All dimensions shown are for guidance only and may be subject to change or alteration without notice. All items manufactured or purchased separately from a third party to fit our products should be checked against the actual dimensions of the physical product before purchase. We will not be liable for third party costs and consequential loss associated with the items not fitting third party components.\*\*