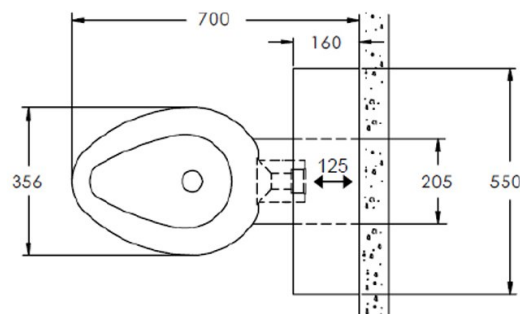
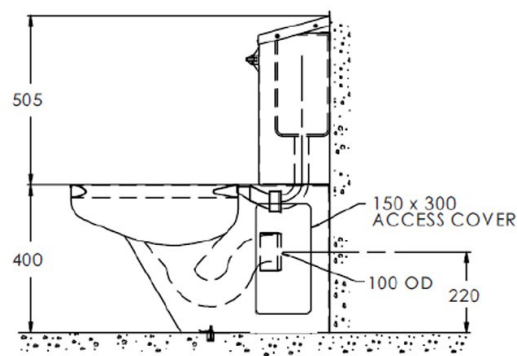


Stainless Steel Close Coupled WC Suite



Plan



Product Code: ACC

Our stainless steel close coupled toilets come with an integrated cistern to help you save money and installation time. Operated via a pneumatic push button, the four litre cistern is built from corrosion-resistant stainless steel, which is renowned for its durability and resistance to vandalism. The WC pan itself is also constructed from stainless steel for ease of cleaning.

This close coupled toilet comes with a flush pipe connector and concealed floor plate, making for a simple and secure installation. The polished, contoured rim of this WC is ready to be used as a seat, but we also offer an additional hinged plastic seat and lid if desired.

We can also supply a Doc M kit, which can be used to convert this close coupled WC into a toilet for disabled users by extending the projection and raising the pan height; as such, this toilet can be used in schools that cater to children with special educational needs, or as a disabled toilet in any school. See the 'extras' for more information.

Delivery

From stock typically 1 to 2 working days

Tech specs

Material: 1.6mm-thick stainless steel (satin polished)
Width: 356mm
Height (including cistern): 905mm
Height (excluding cistern): 400mm
Depth (front to back): 700mm
Outlet: 100mm (horizontal P trap)
Effective flush volume: 3 litres

Extras

Your close coupled stainless steel toilet can be customised with a choice of the following products:

Seat and cover

Heavy duty seat and cover (white plastic, hinged)

Trap converter

Converts the standard horizontal P trap to a vertical S trap

Doc M kit

Includes rear spacer (stainless steel) to raise projection to 750mm, and seat to raise pan height to 450mm

Related products

Are you buying toilets for a nursery, preschool or junior school? If so, you may be interested in our [close coupled infant](#) and [junior height toilets](#). We also supply [floor mounted](#) and [wall hung toilets](#), which can be supplied with separate concealed cisterns for mounting within a wall cavity. These are also available in [infant](#) and [junior heights](#).

****All pictures shown are for illustration purpose only and may be subject to change without notice. Actual product may vary due to product enhancement. All dimensions shown are for guidance only and may be subject to change or alteration without notice. All items manufactured or purchased separately from a third party to fit our products should be checked against the actual dimensions of the physical product before purchase. We will not be liable for third party costs and consequential loss associated with the items not fitting third party components.****