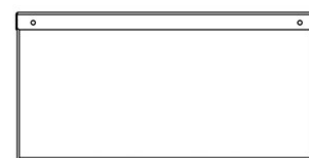
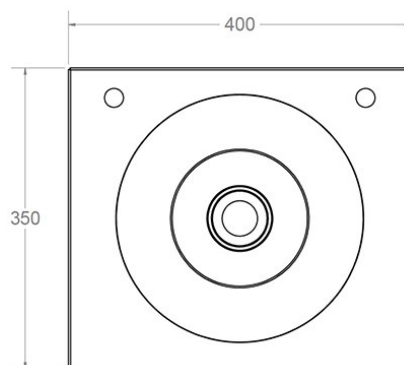


Medium Hand Wash Basin



Product Code: WBMED

The medium sized wash basin is manufactured from stainless steel and polished to a satin finish.

The wash hand basin is fitted with an apron support bracket which is pre drilled for wall fixing. The basin is pre drilled with two 22mm tap holes and is supplied complete with a 32mm flush grated waste fitting (no overflow, plug or chain).

The 170mm deep bowl is ideal to help prevent splashing.

Delivery

From stock typically 1 to 2 working days

Tech Spec

Material grade 304 stainless steel

Width: 400mm

Front to Back: 350mm

Depth: 170mm

Polished satin finish

Fitted apron support

Two 22mm tap holes

Complete with 32mm flush grated waste fitting (no overflow, plug or chain)

No overflow conforms to HTM64 and HBN 00-10 regulations.

Extras

Stainless steel tap hole blank

32mm plastic bottle trap

32mm chrome plated brass bottle trap with chrome pipe and wall flange

Pair cross head pillar taps

Pair time flow basin taps

Single time flow basin tap (cold)

Pair lever basin taps

Lever operated mono bloc mixer tap (requires tap hole to be enlarged)

Knee operated valve and spout

Related products

[Inset wash basins](#) are available if you require countertop mounted basins, or [wall hung basins](#) are available in a variety of sizes and shapes. [Trough sinks](#) are becoming a popular choice in school wash rooms and can be supplied in stainless steel or [solid surface Corian designs](#).

All pictures shown are for illustration purpose only and may be subject to change without notice. Actual product may vary due to product enhancement. All dimensions shown are for guidance only and may be subject to change or alteration without notice. All items manufactured or purchased separately from a third party to fit our products should be checked against the actual dimensions of the physical product before purchase. We will not be liable for third party costs and consequential loss associated with the items not fitting third party components.