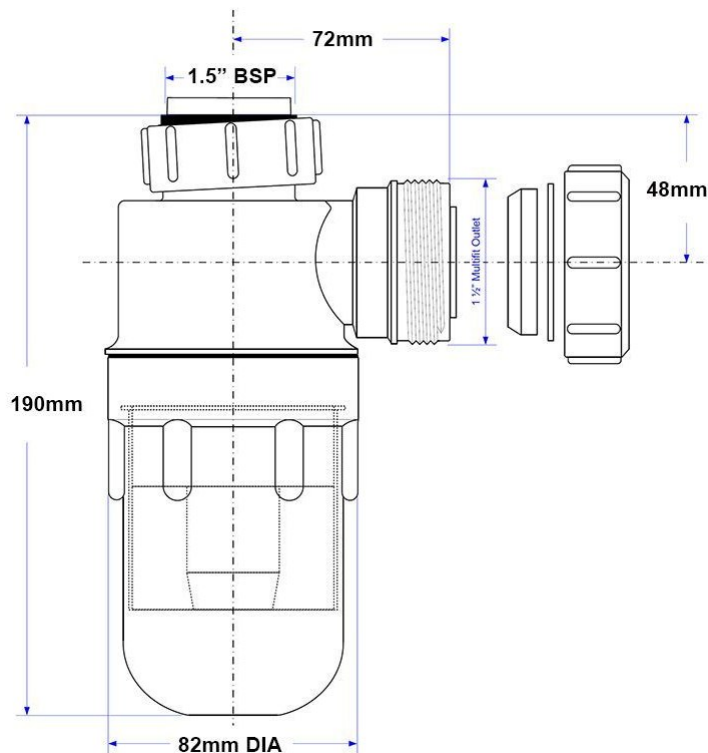


Resealing Plastic Bottle Trap



Product Code: RES-BOTTLETRAP

38mm plastic resealing bottle trap. The resealing action ensures there will always be an adequate water seal even when pipework causes a syphonic action that could empty standard bottle traps.

Ideal for any areas that are subject to stricter health and safety requirements such as medical areas.

Delivery

From stock usually 1 to 2 working days

Tech Spec

Resealing plastic bottle trap
38mm inlet & outlet
Total length 190mm
HTM64 , HBN00-10 compliant and conforms to BS EN 274-1:2002
Multifit compression outlet to fit all plastic, copper and lead pipe

****All pictures shown are for illustration purpose only and may be subject to change without notice. Actual product may vary due to product enhancement. All dimensions shown are for guidance only and may be subject to change or alteration without notice. All items manufactured or purchased separately from a third party to fit our products should be checked against the actual dimensions of the physical product before purchase. We will not be liable for third party costs and consequential loss associated with the items not fitting third party components.****