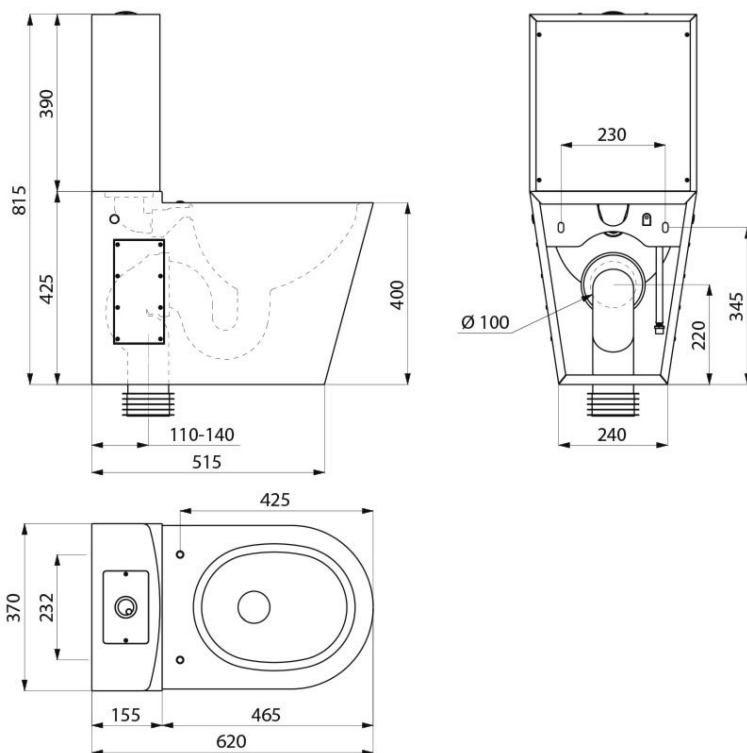


## Close Coupled Toilet - Stainless Steel



Product Code: CCTSS

The stainless steel close coupled toilet and cistern is a premium, all-in-one stainless steel toilet solution ideal for school and educational washrooms. Designed for durability, hygiene, and vandal resistance, this unit is made from high-quality grade 304 bacteriostatic stainless steel — perfect for busy environments where safety and long-term reliability matter most.

With its compact design and attached cistern, the close coupled toilet is easy to install and maintain, making it a practical choice for both new builds and refurbishments. Its smooth, seamless finish ensures easy cleaning and excellent resistance to misuse, making it particularly suitable for secondary schools, academies, and special educational needs (SEN) facilities.

Choose a product that meets the demands of daily school life while supporting cleanliness, efficiency, and user safety.

### Delivery

From stock typically 1 to 2 working days

### Tech specs

Material: 1.5mm-thick bacteriostatic stainless steel (satin polished)  
Width: 370mm  
Height (including cistern): 815mm  
Height (excluding cistern): 400mm  
Depth (front to back): 620mm  
Outlet: 100mm (horizontal P trap) with vertical (S trap) plastic converter  
Dual flush: 6 litres and 3 litres  
CE marked  
Complies with European standard EN 997 for 4L flush

### Extras

Your close coupled stainless steel toilet can be customised with a choice of the following products:

*Seat and cover*

### Related products

Are you buying toilets for a nursery, preschool or junior school? If so, you may be interested in our [close coupled infant](#) and [junior height toilets](#). We also supply [floor mounted](#) and [wall hung toilets](#), which can be supplied with separate concealed cisterns for mounting within a wall cavity. These are also available in [infant](#) and [junior heights](#).

\*\*All pictures shown are for illustration purpose only and may be subject to change without notice. Actual product may vary due to product enhancement.  
All dimensions shown are for guidance only and may be subject to change or alteration without notice. All items manufactured or purchased separately from a third party to fit our products should be checked against the actual dimensions of the physical product before purchase. We will not be liable for third party costs and consequential loss associated with the items not fitting third party components.\*\*