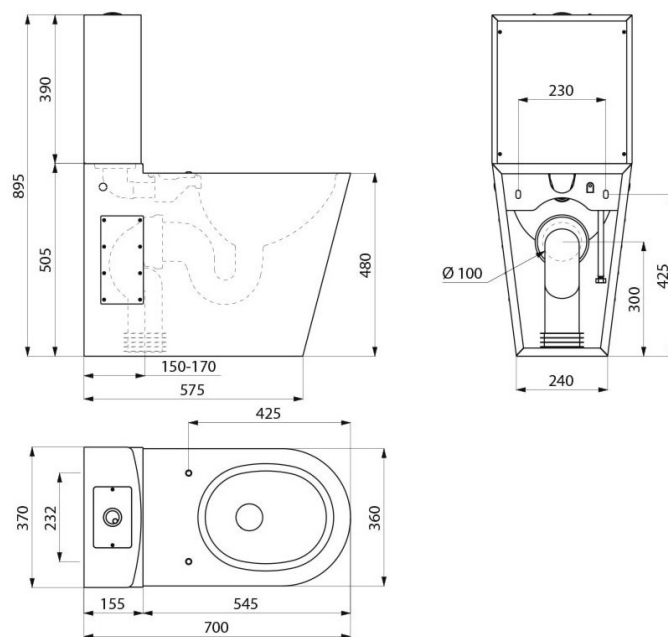


Accessible Close Coupled Toilet - Stainless Steel



Product Code: ACCTSS

The accessible stainless steel close coupled toilet and cistern is a premium, all-in-one stainless steel toilet solution ideal for users with a range of mobility issues within school and educational washrooms. Designed with an increased toilet rim height of 480mm and an increased length of 700mm it is ideal for wheelchair users and other users who may need assistance. Manufactured for durability, hygiene, and vandal resistance, this unit is made from high-quality grade 304 bacteriostatic stainless steel — perfect for busy environments where safety and long-term reliability matter most.

With its compact design and attached cistern, the accessible close coupled toilet is easy to install and maintain, making it a practical choice for both new builds and refurbishments. Its smooth, seamless finish ensures easy cleaning and excellent resistance to misuse, making it particularly suitable for secondary schools, academies, and special educational needs (SEN) facilities.

Delivery

From stock typically 1 to 2 working days

Tech specs

Material: 1.5mm-thick bacteriostatic stainless steel (satin polished)
Width: 370mm
Height (including cistern): 895mm
Height (excluding cistern): 480mm
Depth (front to back): 700mm
Outlet: 100mm (horizontal P trap) with vertical (S trap) plastic converter
Dual flush: 6 litres and 3 litres
CE marked
Complies with European standard EN 997 for 4L flush

Extras

Your close coupled stainless steel toilet can be customised with a choice of the following products:

Seat only - no cover

Related products

Are you buying toilets for a nursery, preschool or junior school? If so, you may be interested in our [close coupled infant](#) and [junior height toilets](#). We also supply [floor mounted](#) and [wall hung toilets](#), which can be supplied with separate concealed cisterns for mounting within a wall cavity. These are also available in [infant](#) and [junior heights](#).

**All pictures shown are for illustration purpose only and may be subject to change without notice. Actual product may vary due to product enhancement.
All dimensions shown are for guidance only and may be subject to change or alteration without notice. All items manufactured or purchased separately from a third party to fit our products should be checked against the actual dimensions of the physical product before purchase. We will not be liable for third party costs and consequential loss associated with the items not fitting third party components.**