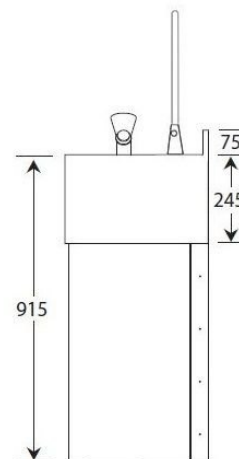
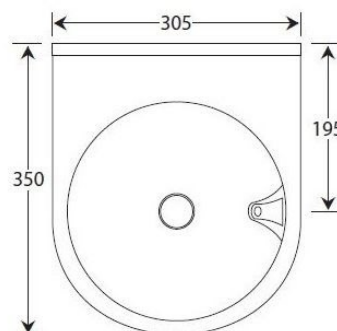


## Combined Drinking Fountain & Bottle Filler- Adult Height (Non-Chilled)



Product Code: DFBFFS-A

Our floor standing combined drinking and bottle filling fountains provide the ultimate in practicality. Constructed from 304-grade stainless steel, these fountains are robust enough to withstand bumps and bangs from even the burliest sixth form rugby players, while the round radius front makes the unit safe for use in high traffic areas of any nursery, school or college.

The stainless steel undershroud is designed to protect pipework and is easily removed for cleaning and maintenance purposes. Each floor standing drinking fountain comes with inbuilt fixing brackets, a 32mm waste fitting and a WRAS approved bubbler faucet and WRAS approved bottle filling faucet.

### Delivery

Typically 2 to 3 working days.

Next working day delivery available for orders placed before 11.30am (at extra cost to standard delivery)

### Tech specs

Material: 1.6mm thick stainless steel (304 grade)

Width: 305mm

Depth (front to back): 350mm

Height (top to bottom): 915mm plus 75mm splashback

Waste fitting: 32mm

To ensure the proper functioning and longevity of this unit, a Y-strainer or filter must be installed as part of the water supply system. The Y-strainer / filter is essential for protecting the internal components and maintaining the correct flow characteristics of the tap. Failure to install a Y-strainer or filter will result in the warranty being void

### Extras

Your floor standing drinking fountain can also be furnished with the following waste trap:

*Traps*

[Plastic bottle trap \(32mm\)](#)

### What is WRAS approval?

WRAS approval is a mark of compliance with the Water Supply (Water Fittings) Regulations of 1999. The WRAS - or 'Water Regulations Advisory Scheme' - exists to ensure that water fittings supply safe, uncontaminated drinking water in a manner that minimises the risk of waste.

The bubbler and bottle filler taps supplied with our floor standing drinking water fountains are approved by the WRAS.

### Related products

We sell a variety of hydration solutions for nurseries, crèches, schools, colleges and sixth forms, such as [stainless steel bottle fillers](#) and [combined bottle filler drinking fountains](#). If your establishment caters exclusively to younger children, why not take a look at our [junior drinking fountain](#) range?

Alternatively, you could choose a [wall-mounted drinking and bottle filling fountain](#), which can be installed at a height appropriate for your pupils. You may also like our space-saving [recessed drinking fountains](#) and [bottle fillers](#), which ideal for schools with less room.

**\*\*All pictures shown are for illustration purpose only and may be subject to change without notice. Actual product may vary due to product enhancement. All dimensions shown are for guidance only and may be subject to change or alteration without notice. All items manufactured or purchased separately from a third party to fit our products should be checked against the actual dimensions of the physical product before purchase. We will not be liable for third party costs and consequential loss associated with the items not fitting third party components.\*\***