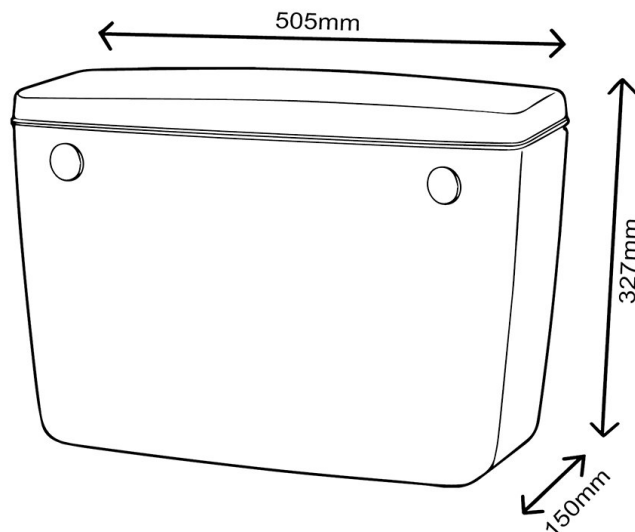


Plastic Auto Cistern 9 or 13.65 Litres



Product Code: UPAC

Plastic Automatic Flushing Cistern For Urinals (9 or 13.65 litres)

Product Code: UPAC

The plastic urinal cistern is a high-performance automatic flushing solution, ideal for exposed or concealed urinal installations in both commercial and domestic washrooms. Designed for reliability and ease of use, this cistern delivers consistent, hygienic flushing with manually adjustable settings to suit a wide range of applications.

With two flush volumes of 2 or 3 gallons, the UPAC auto cistern is perfect for everything from new build projects to retrofit installations, offering flexibility, efficiency, and long-term performance.

Key Features & Benefits

- Automatic flushing cistern – ideal for exposed or concealed urinal installations.
- Available in 9 litre (2 gallon) or 13.65 litre (3 gallon) to suit different usage requirements.
- WRAS approved auto syphon for compliance and water safety.
- Tested to 200,000 flush cycles for proven durability and reliability.
- Adjustable petcock to control flush frequency and optimise water usage.
- Suitable for new installations and replacement projects.
- Easy installation and maintenance, reducing downtime and labour costs.

Dimensions

- Width: 505mm.
- Height: 327mm.
- Depth: 150mm.

Includes

- White plastic cistern casing.
- White plastic cistern lid.
- Auto syphon (9 or 13,65 litres) with 1" threaded tail and fixing nut.
- Petcock to adjust water inlet flow.

Delivery

- Fast UK Delivery: 1–2 working days.

Options

- 9 litre or 13.65 litre capacity.
- [Marnic Water Watch flush controller to regulate flushing when not in use.](#)

All pictures shown are for illustration purpose only and may be subject to change without notice. Actual product may vary due to product enhancement. All dimensions shown are for guidance only and may be subject to change or alteration without notice. All items manufactured or purchased separately from a third party to fit our products should be checked against the actual dimensions of the physical product before purchase. We will not be liable for third party costs and consequential loss associated with the items not fitting third party components.